



Simple Interiors
reinvent your space

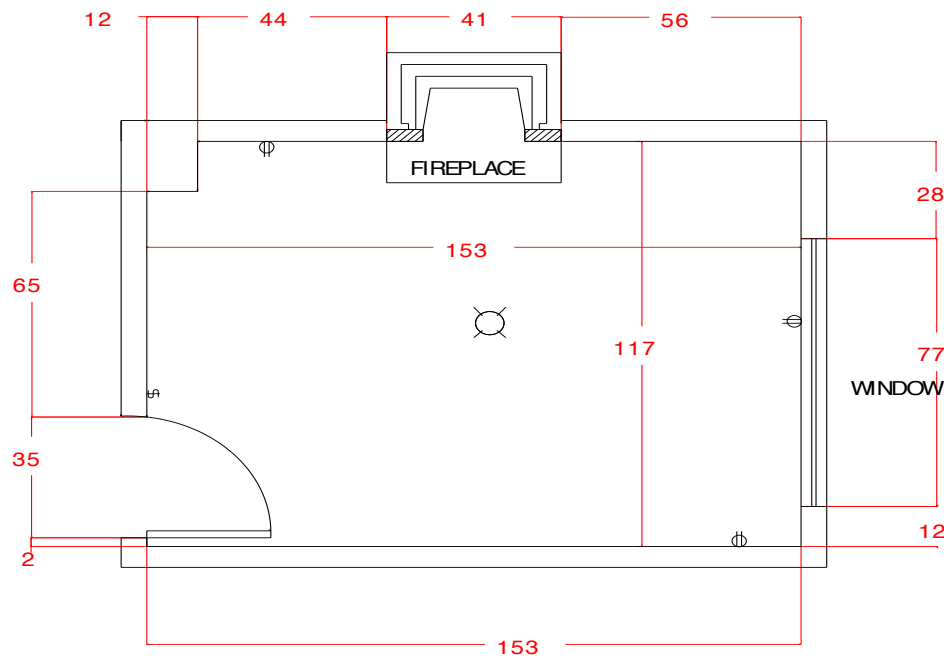
How to measure a room:

Things you will need:

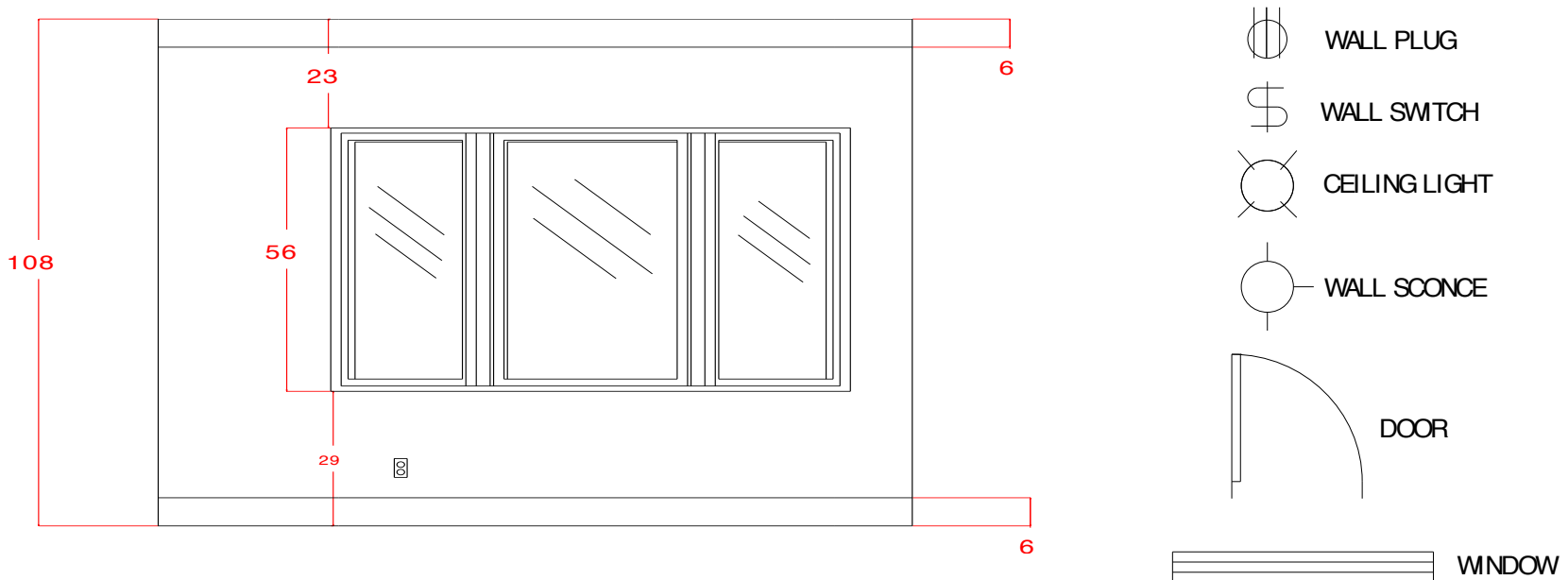
- Retractable measuring tape
- Pencil
- Paper

First, sketch the basic layout of your room. Roughly draw or label in where windows, doors, fireplaces etc are located in the room. Don't worry about your drawing being proportional

Second, measure the overall length and width of the room. Using your tape measure, measure the room from one end to the other in one direction. Note this measurement on your paper. Now, measure the room from end to end in the opposite direction you already measured. Note this measurement on your paper. This will give us an overall idea of the size of the room



Next, measure each wall separately, noting the measurements of the wall details as you go. Starting at the corner of the a measure to the first window, doorway or other room detail (room details include doors, windows, bookcases, fireplaces etc.). Make note of this measurement on your paper. Next, measure the room detail from outside corner to outside corner, then continue measuring the wall until you reach the next detail or corner of the wall. Do this for every wall in the room. After you have finished measuring the wall details, your detailed measurements should add up to the same as your overall room measurement.



Other room measurements/details we need to know

Height of all windows and doors

Location of any light fixtures

Location of any plugs or outlets these can be rough locations indicated on your drawing

Ceiling height of the room

If you have any questions regarding how to measure a room, we are happy to help. Email us with any questions you may have.

